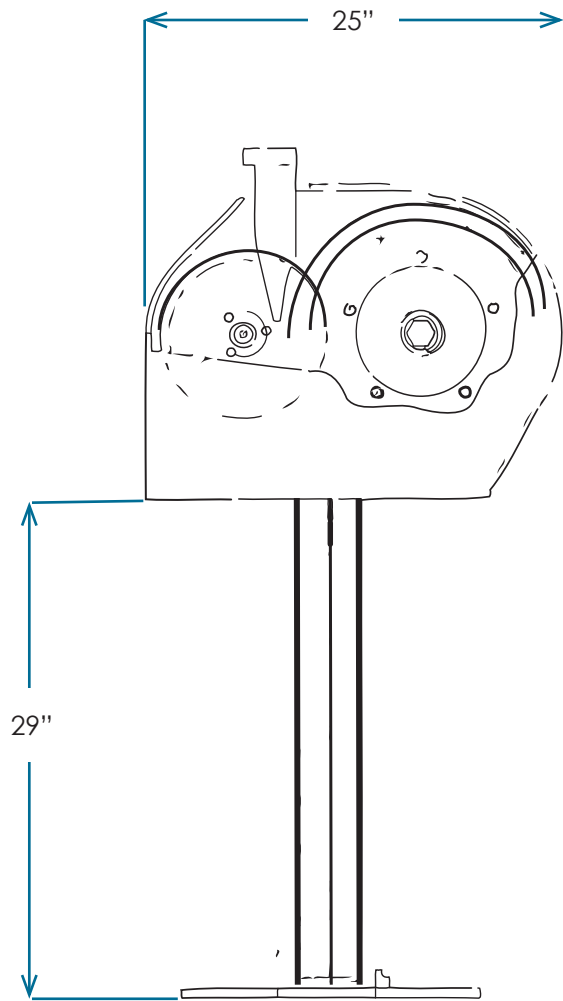
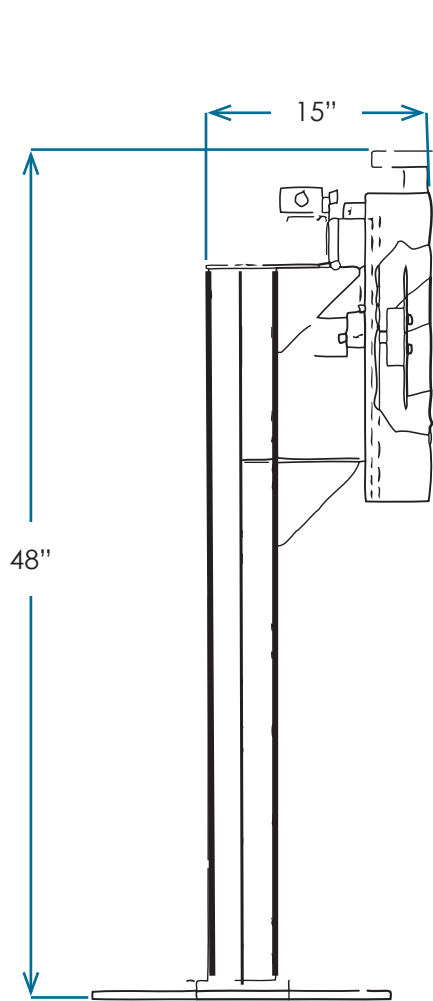




Splits larger, less expensive bait to size for Autobaiting machines.

- Dual drive motors - one for high speed blade, one for feed sheave.
- Heat treated stainless steel precision blade.
- Heavy duty galvanized steel housing and stand.
- Easy operation - hydraulic motors and valve for control, reversing and cleaning is already installed.



Weight: 440 lbs

4259 22nd Ave. W. Seattle, WA 98199
Phone: (206) 285-3200 Fax: (206) 282-8520
sales@marcoglobal.com
www.marcoglobal.com