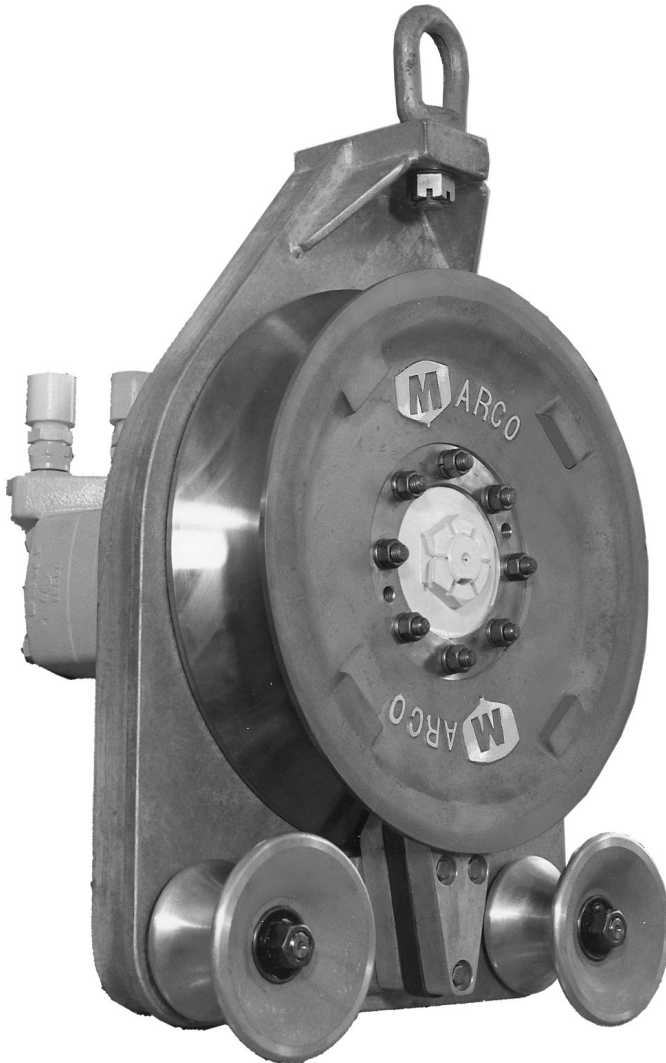
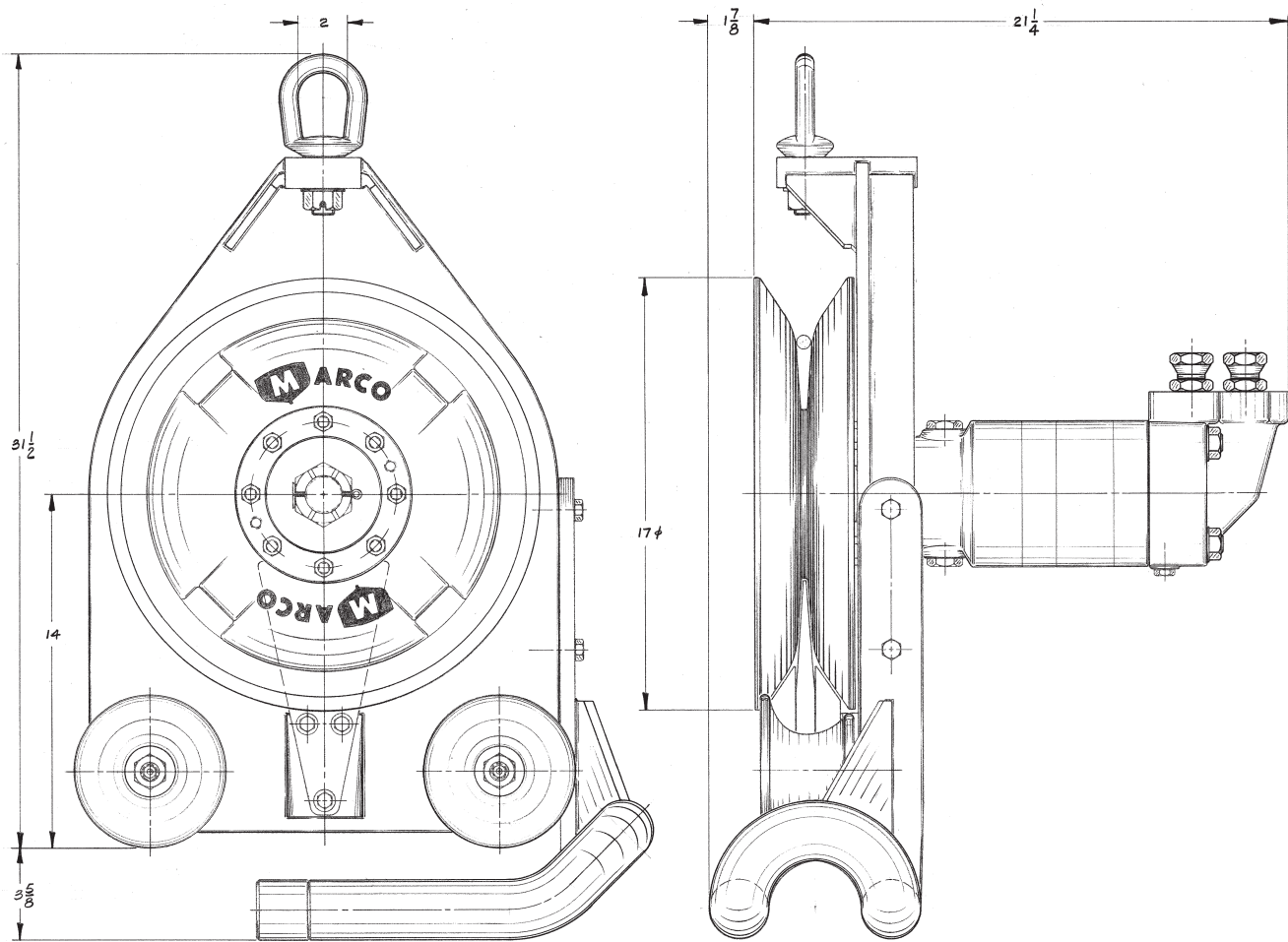


J0117 POT LINE HAULER

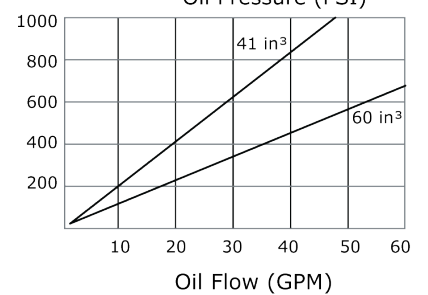
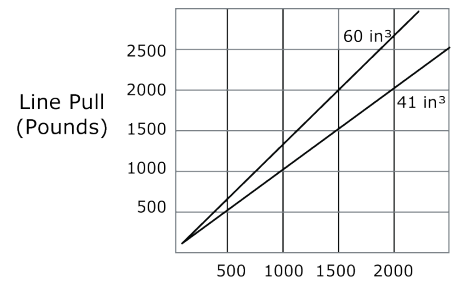


Dependability for Mid size Pot fishing vessels.

- 17" Bronze Sheaves are adjustable with shims for use with 5/8" to 1" size line.
- Galvanized fabricated steel frame for increased strength and long life.
- High Torque direct drive hydraulic motor for reduced maintenance.
- Aluminum idler sheaves with sealed lubricated ball bearings.
- Optional fairlead.



Maximum	Line Speed:	500 FPM
	Line Pull:	2500 LBS
	Line Size:	1"
Construction:	Frame:	Galvanized Steel
	Sheaves:	Bronze
	Idler Sheaves:	Aluminum with Roller Bearings
	Fairlead:	Galvanized Steel
	Splitter	Stainless Steel
Weight:	330 Lbs.	



Smith Berger Marine, Inc.

7915 10th Ave. S., Seattle, WA 98108 USA

Tel. 206.764.4650 - Toll Free 888.726.1688 - Fax 206.764.4653

E-mail: sales@smithberger.com - Web: www.smithberger.com